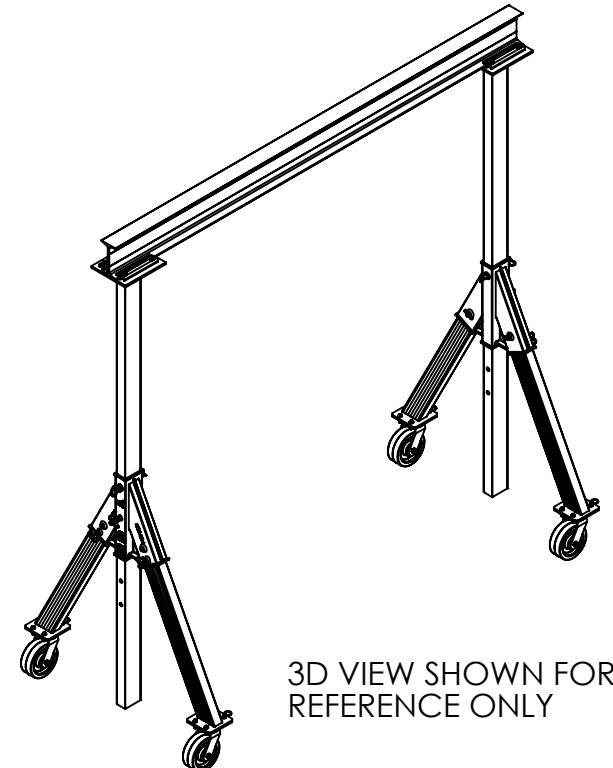
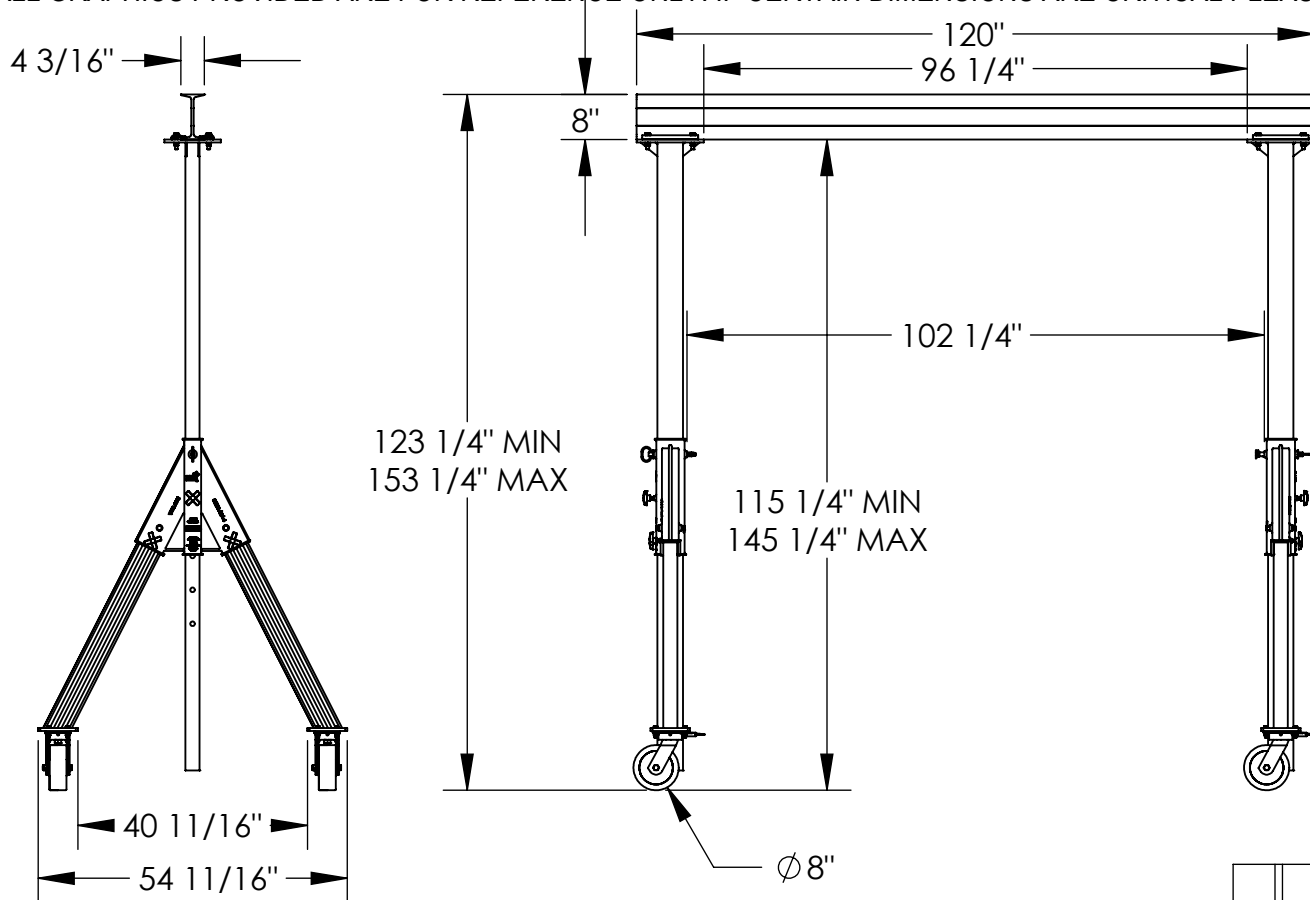


# ADJUSTABLE ALUMINUM GANTRY CRANE - AHA-4-10-12

APPROX WEIGHT: 390 lbs.  
DOES NOT INCLUDE WEIGHT OF POWER OR PACKAGING!!!

\*\*\* ANY ADDITIONS, DELETIONS, OR OMISSIONS MUST BE CORRECTED ON THIS DRAWING AS THIS DRAWING WILL BE CONSIDERED ALL INCLUSIVE \*\*\*

ALL GRAPHICS PROVIDED ARE FOR REFERENCE ONLY. IF CERTAIN DIMENSIONS ARE CRITICAL PLEASE VERIFY THOSE DIMENSIONS WITH YOUR SALESPERSON



DIMENSION TOLERANCE  $\pm 1/4"$

## STANDARD FEATURES

## SPECIAL FEATURES

MODEL NUMBER IS AHA-4-10-12  
CAPACITY IS 4,000 LBS.  
BASE WIDTH IS  $54 \frac{11}{16}$ "  
MAX OVERALL HEIGHT IS  $153 \frac{1}{4}$ "  
I-BEAM HEIGHT IS 8"  
I-BEAM FLANGE WIDTH IS  $4 \frac{3}{16}$ "  
OVERALL I-BEAM LENGTH IS 120"  
USABLE I-BEAM LENGTH IS  $96 \frac{1}{4}$ "  
ADJUSTABLE UNDER I-BEAM HEIGHT  
 $115 \frac{1}{4}$ " MIN  
 $145 \frac{1}{4}$ " MAX  
HEIGHT IS ADJUSTABLE IN 6" INCREMENTS  
CASTERS: (4)  $\phi 8"$  X 3" WIDE PHENOLIC  
SWIVEL CASTERS WITH FOUR  
LOCKING POSITIONS  
CRANE MAY BE TAKEN APART AND BUNDLED WITH  
(2) INCLUDED STRAPS FOR EASY TRANSPORT  
ALUMINUM CONSTRUCTION

NONE

APPROVAL

I, THE UNDERSIGNED, AGREE THAT THE PRODUCT AS REPRESENTED SATISFIES DESIGN AND DIMENSION REQUIREMENTS. I ALSO ACKNOWLEDGE MY DUTY TO CONFIRM PRODUCT AND INSTALLATION COMPLIANCE WITH ALL APPLICABLE FEDERAL, STATE AND LOCAL REGULATIONS AND STANDARDS.  
**UNITS REQUIRING APPROVAL DRAWINGS OR MODIFIED ARE NON-RETURNABLE**  
[ ] As drawn [ ] As marked

Signed: \_\_\_\_\_ Date: \_\_\_\_\_

Printed Name: \_\_\_\_\_

LEAD TIME WILL START UPON RECEIPT OF SIGNED APPROVAL DRAWING

DISTRIBUTOR'S NAME:		P.O.#
VESTIL MANUFACTURING		X
DRAWN BY: ND		W.O.#
DATE: 03/25/11		X
REFERENCE: X	SCALE: 1:34	SALES: X
QUOTED LEAD TIME: X	QUOTE #	FILE NAME:
	X	28-007-223